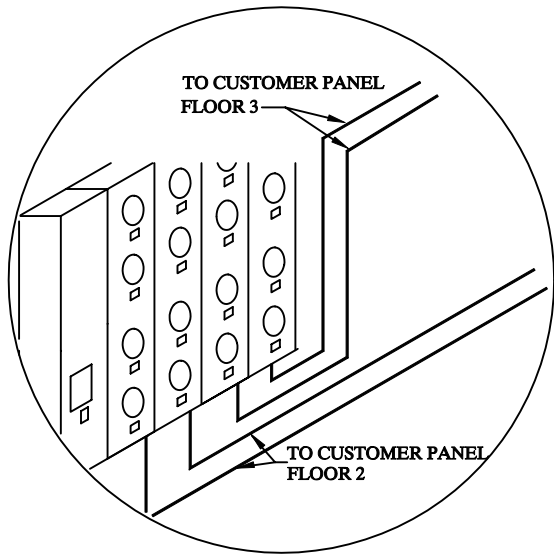


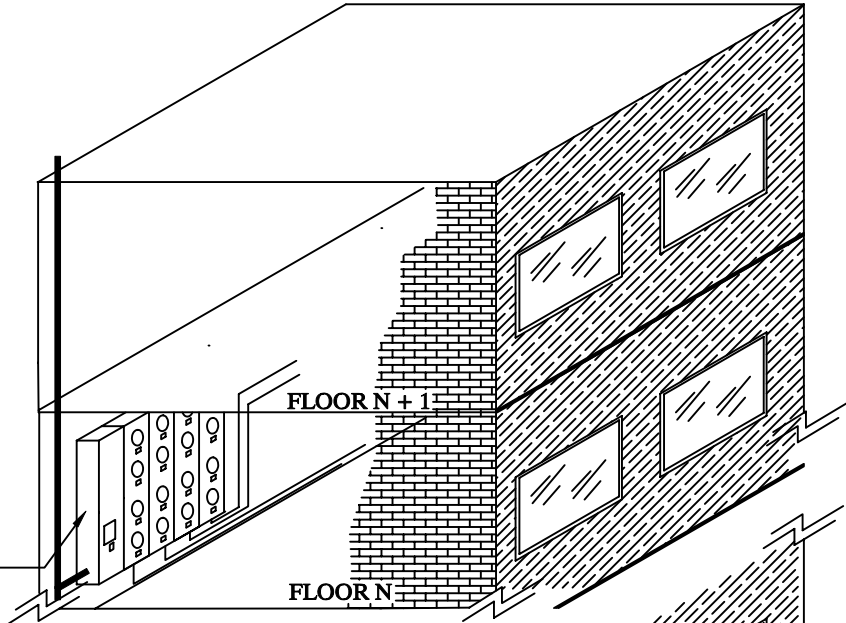
# CONDOMINIUM INSTALLATIONS

MPC will generally service condominium projects as prescribed in Paragraph D Underground Services with the following additions and exceptions.

- Parallel distribution transformers will not be allowed.
- Service Voltage may be provided at 120/208 3phase 4 wire, 277/480 3phase 4 wire, or at the local rated primary distribution voltage.
- Only one transformer will be provided unless the load requires two.
- Locations close to the water may be required to be elevated.
- Minimum clearance from obstructions around the (each) transformer shall be maintained at:
  - 10 feet in front and 3 feet around the sides of the transformer
- Modular type meter centers shall be furnished and installed by the customer per the requirements of Paragraph E, Customer Owned Sockets. A list of specific approved meter centers can be provided upon request.
- Meter centers must be designed for the operating voltage of the electricity meters to be utilized. i.e. 120/208 3 wire installations MUST have 5 terminal sockets installed for proper registration.
- Where ground floor retail space exists, the metering for this shall be located exterior to the facility and have by-pass type sockets installed, furnished by MPC.
- Residential tenant meter centers shall be located in a single location or on every other floor beyond the ground floor. Meter centers on each floor must have prior company approval.
- Each unit feeder circuit will be properly tested and labeled by the contractor prior to being energized. Upon completion of testing, each socket shall be permanently marked using adhesive marking labels furnished by Mississippi Power OR contractor provided engraved plates riveted to each socket cover.
- The demarcation point for electric service installations <600volt will be the secondary of the padmount transformer. Primary voltage installations will be at the primary metering point.
- Duct Bank installations, shall maintain a minimum depth of not less than 30” from finished grade, and shall be encased in concrete.
- Meter rooms will maintain the requirements identified on Plate 91.
- The max number of conductors per phase is 16. If locomotive cable is used the customer is to terminate the conductors and provide MPC with the connector information



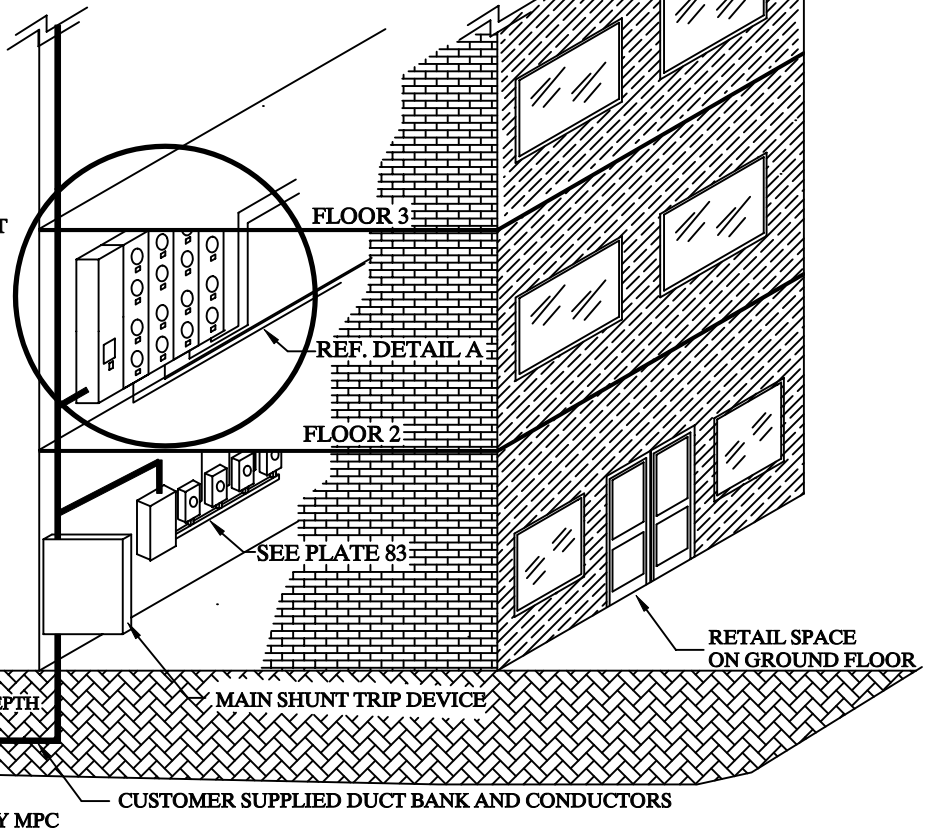
DETAIL A



METER BANKS SHALL SERVE A MINIMUM OF TWO FLOORS.

NOTES:

- \* MODULAR METERING FURNISHED BY CUSTOMER.
- \* EACH METER BANK SHALL HAVE A MAIN DISCONNECT AND BE LOCATED IN AN ELECTRICAL ROOM. (DETAIL IN PLATE 91)



MPC FURNISHED DISTRIBUTION TRANSFORMER LOWSIDE VOLTAGE 120/208 WITH CUSTOMER Poured FOUNDATION PER MPC PLATE 87 & 88

SUBJECT CONDO – TYPICAL LOW VOLTAGE SERVICE

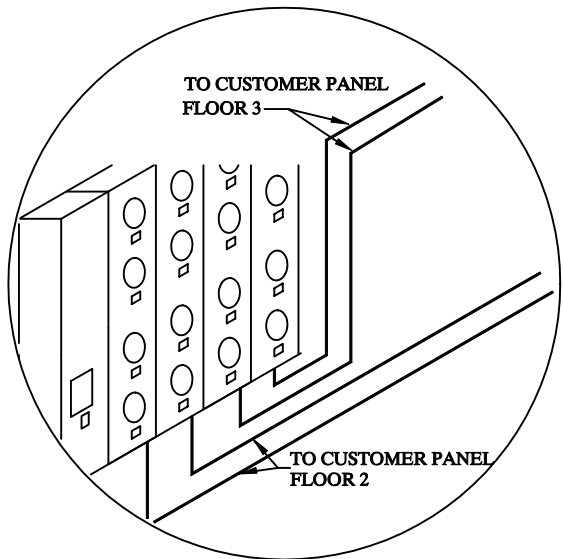
DETAIL INSTALLATION REQUIREMENTS

Date 2/14/06

PLATE 90

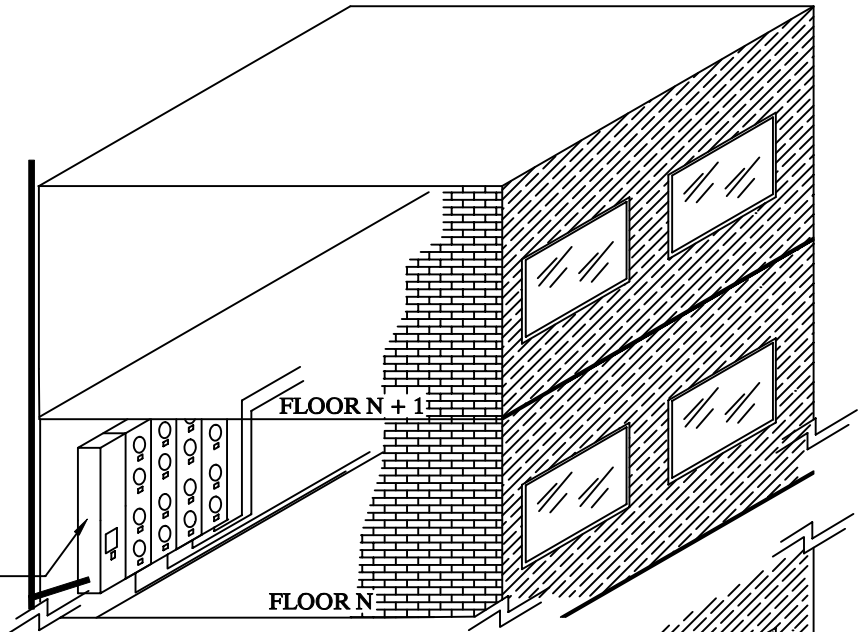


MS0106



DETAIL A

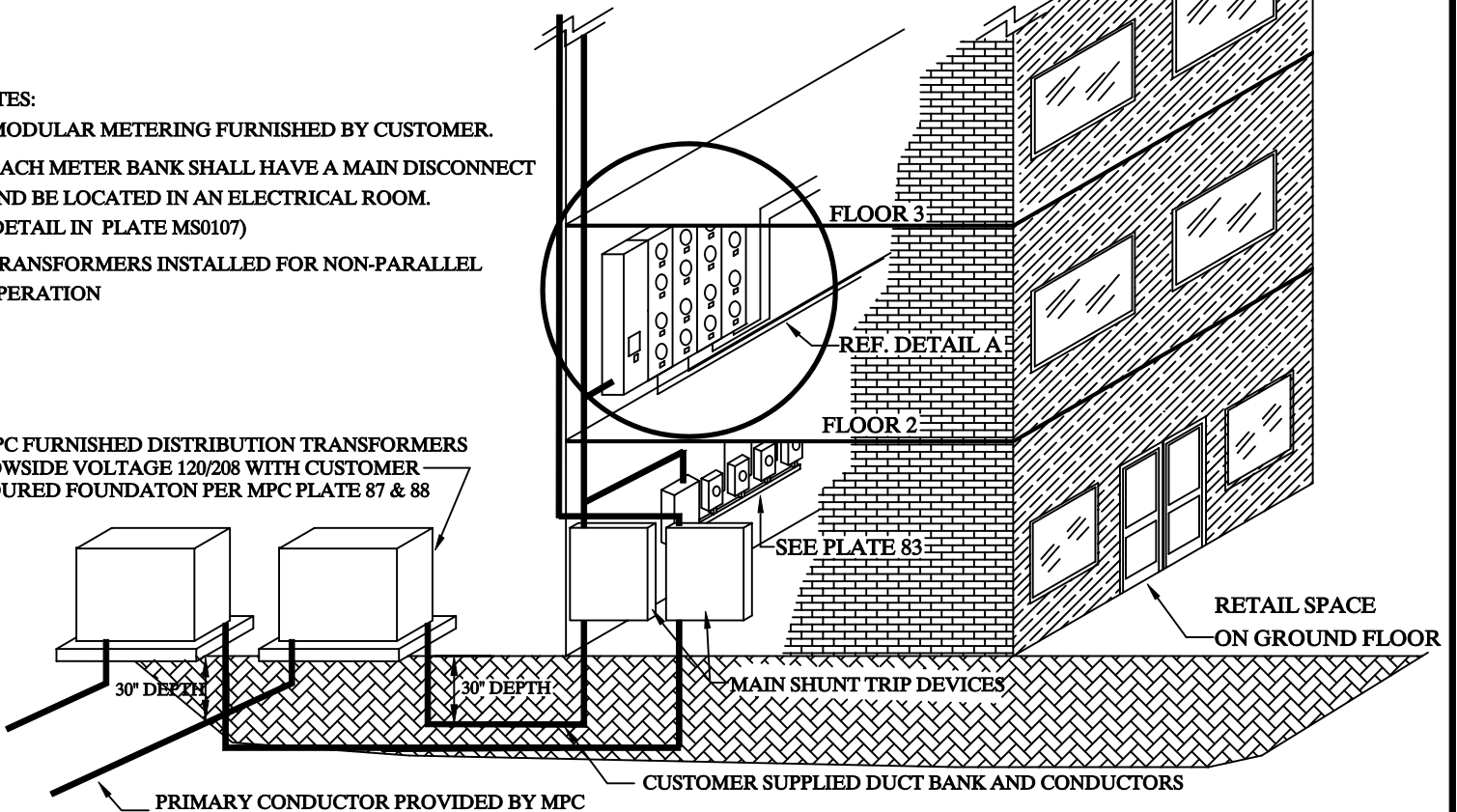
METER BANKS SHALL SERVE A MINIMUM OF TWO FLOORS.



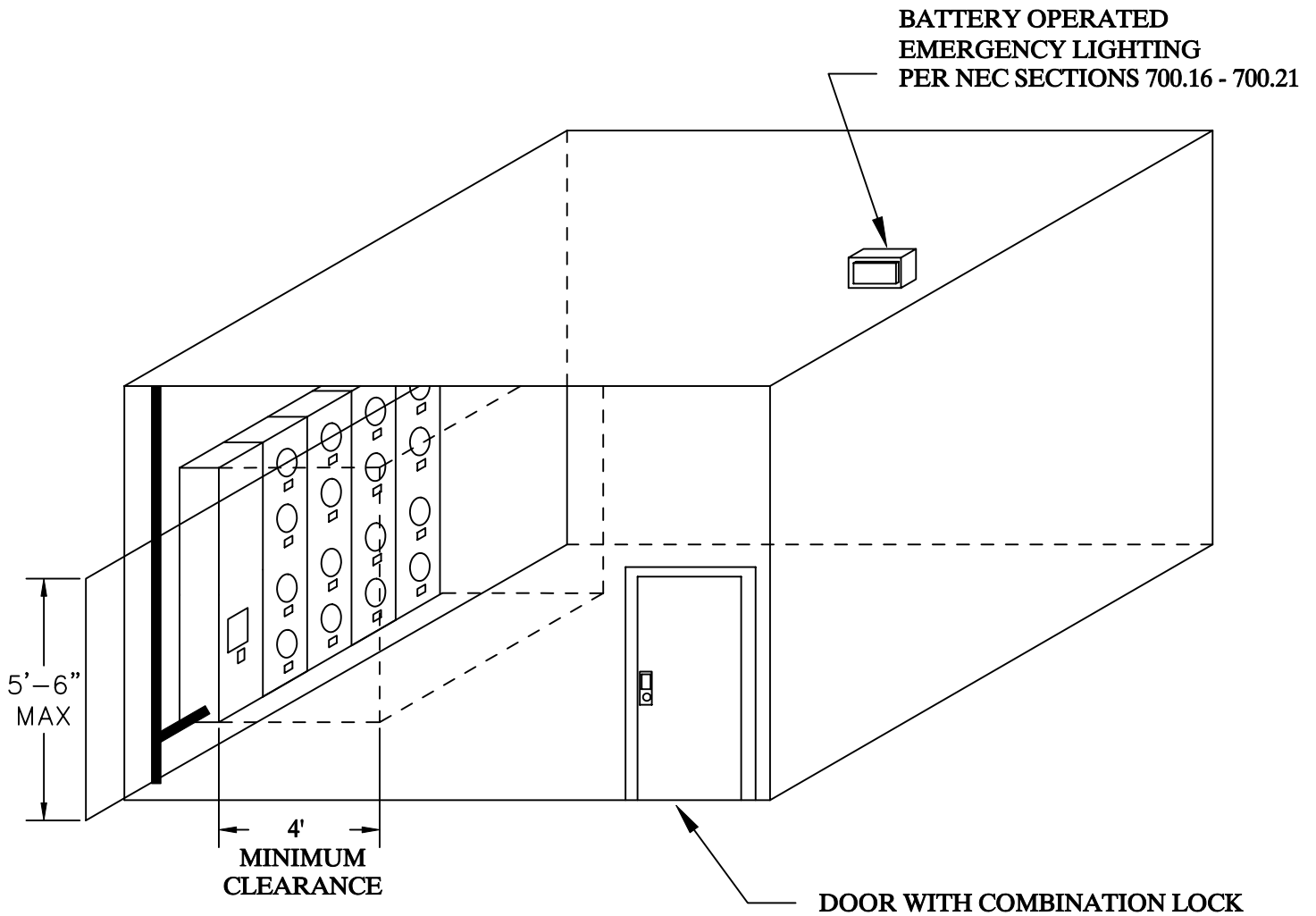
NOTES:

- \* MODULAR METERING FURNISHED BY CUSTOMER.
- \* EACH METER BANK SHALL HAVE A MAIN DISCONNECT AND BE LOCATED IN AN ELECTRICAL ROOM. (DETAIL IN PLATE MS0107)
- \* TRANSFORMERS INSTALLED FOR NON-PARALLEL OPERATION

MPC FURNISHED DISTRIBUTION TRANSFORMERS LOWSIDE VOLTAGE 120/208 WITH CUSTOMER Poured FOUNDATION PER MPC PLATE 87 & 88



SUBJECT CONDO – TYPICAL LOW VOLTAGE SERVICE USING TWO TRANSFORMERS  
 DETAIL INSTALLATION REQUIREMENTS



SUBJECT CONDO – ELECTRICAL ROOM

DETAIL CLEARANCE & ACCESSS REQUIREMENTS

Date 2/14/06

PLATE 91



MS0107