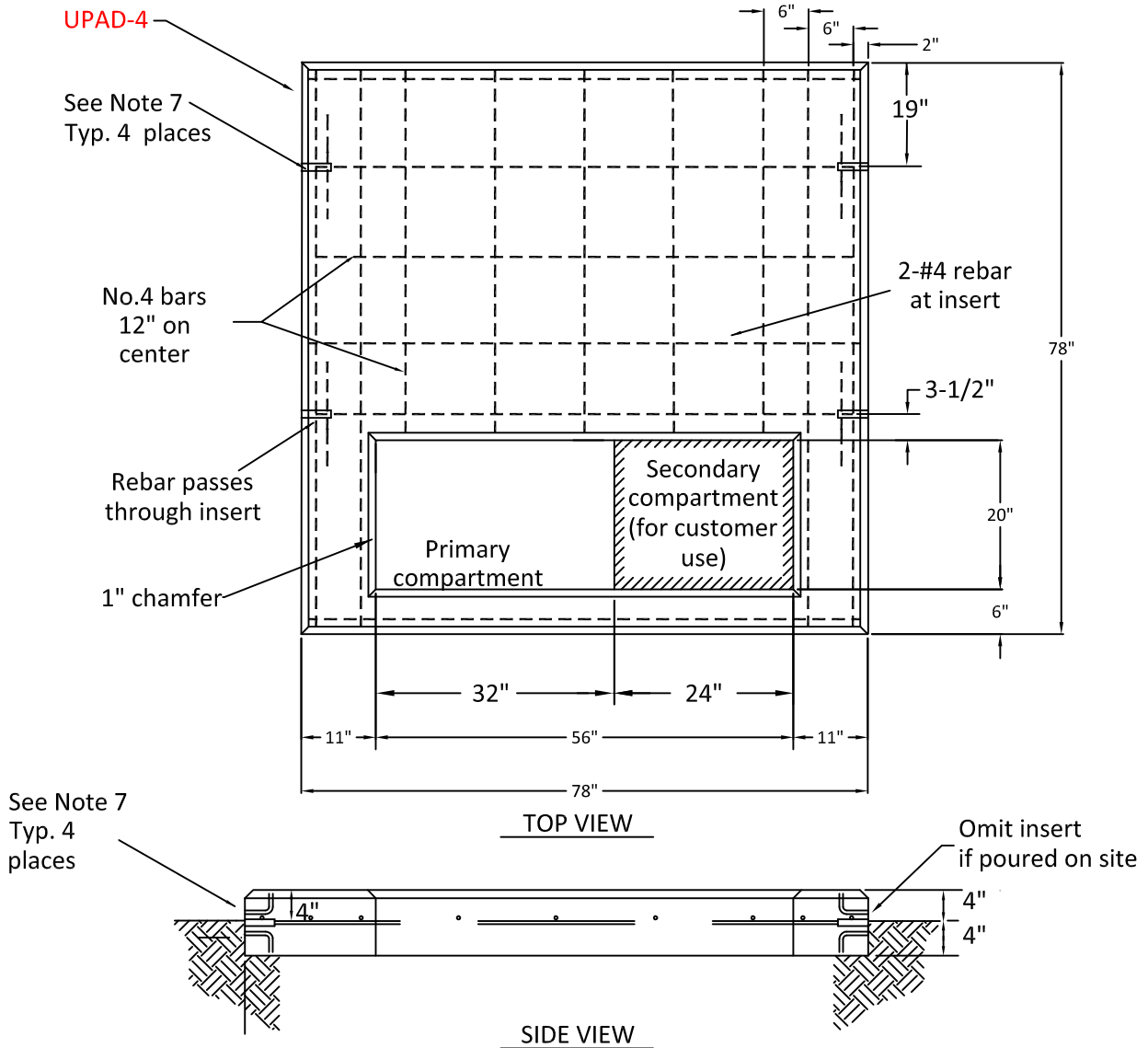


Precast Concrete 3 - Phase Pad  
 45KVA - 300KVA  
 12 kV thru 25 kV



NOTES:

1. Service duct shall be located in the extreme right side of the secondary compartment.
2. Reinforce with No. 4 bars with a 12" x 12" grid, 4 in. below top of pad except as shown above.
3. Concrete shall have a minimum ultimate 28 day compressive strength of not less than 3,000 pounds, pad shall be cured not less than 72 hours.
4. Average weight of pad is 3700 lbs. concrete.
5. Mounting surface shall be level, smooth and uniform with minimal irregularities.
6. This pad will also accommodate a 500 KVA transformer.
7. Lifting insert for 1 in. diameter threaded bolt, 4" depth, Meadow Burke FX-14, 4 locations (omit if poured in place).
8. Maintain 2 in. of clear concrete between rebar and all outer surfaces.

SUBJECT **UNDERGROUND DISTRIBUTION**

DETAIL **EQUIPMENT PADS AND VAULTS - PRE-CAST OR POURED IN PLACE PAD FOR 45 KVA THROUGH 300 KVA**

**LOOP FEED PAD MOUNTED TRANSFORMERS, 12 KV THRU 25 KV**

Date **02-26-99**

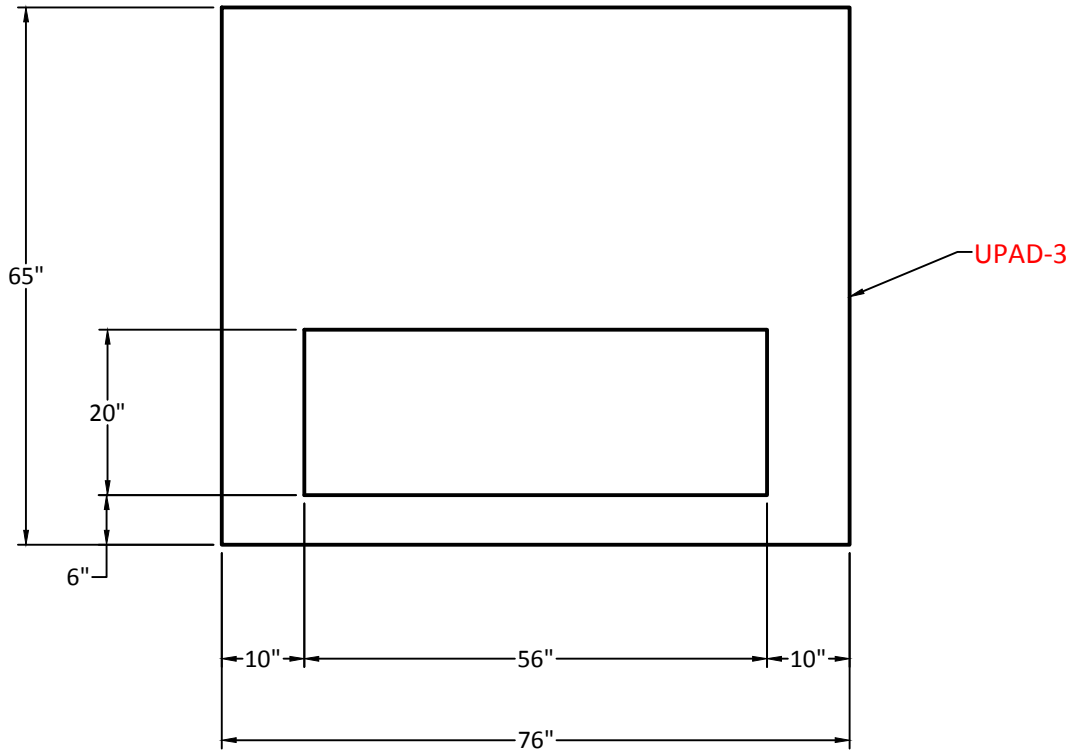
REVISED **09-25-00, 01-26-02, 01-09-07, 04-09-10  
 12-20-13, 07-31-14**



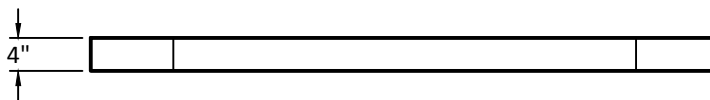
A- **SUH15001**

**SUH-15.001**

45 KVA - 225 KVA THREE PHASE TRANSFORMER  
PAD FABRICATED COMPOSITE



Top View



Side View

**NOTES:**

1. Service duct shall be located in the extreme right side of the secondary compartment.
2. Primary duct shall extend beyond edge of pad in the direction of the incoming primary cables.
3. Approximate weight: 800lbs.
4. Mounting surface shall be level, smooth and uniform with minimal irregularities.
5. This pad will accommodate a 300 kVA transformer, if necessary, on change-out of a 225 kVA or smaller unit. Use for no larger than a 225 kVA unit for initial installation.

SUBJECT **UNDERGROUND DISTRIBUTION**

DETAIL **EQUIPMENT PADS AND VAULTS- 45KVA - 225KVA THREE PHASE TRANSFORMER PAD (FABRICATED COMPOSITE)**

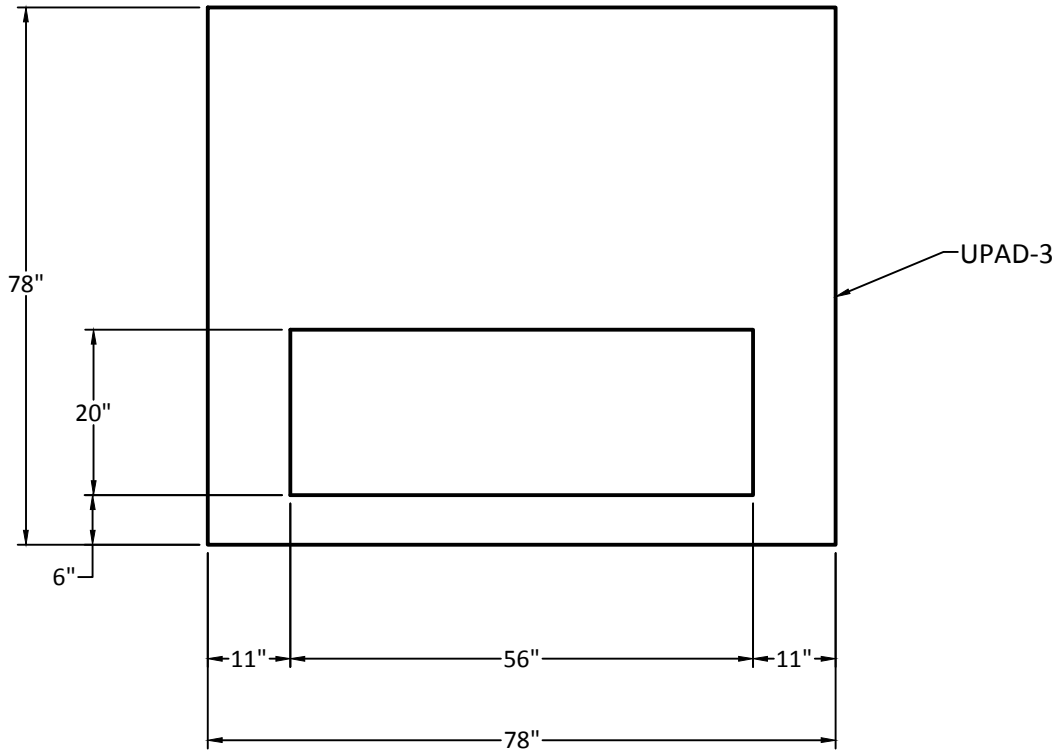
Date 09-25-00

REVISED 12-20-13

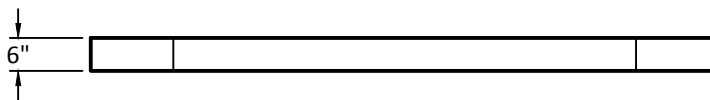


A- SUH-15.002

45 KVA - 300 KVA THREE PHASE TRANSFORMER  
PAD FABRICATED COMPOSITE



Top View



Side View

**NOTES:**

1. Service duct shall be located in the extreme right side of the secondary compartment.
2. Primary duct shall extend beyond edge of pad in the direction of the incoming primary cables.
3. Approximate weight: 1560lbs.
4. Mounting surface shall be level, smooth and uniform with minimal irregularities.
5. This pad will accommodate a 500 kVA transformer, if necessary, on change-out of a 300 kVA or smaller unit. Use for no larger than a 300 kVA unit for initial installation.

SUBJECT **UNDERGROUND DISTRIBUTION**

DETAIL **EQUIPMENT PADS AND VAULTS- 45KVA - 300KVA THREE PHASE TRANSFORMER PAD (FABRICATED COMPOSITE)**

Date **12-20-13**

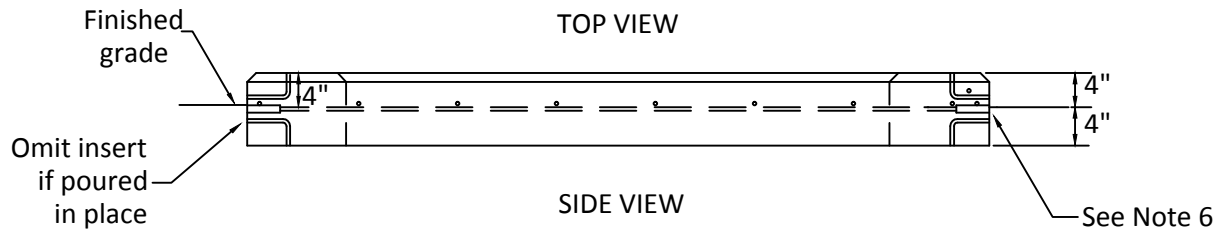
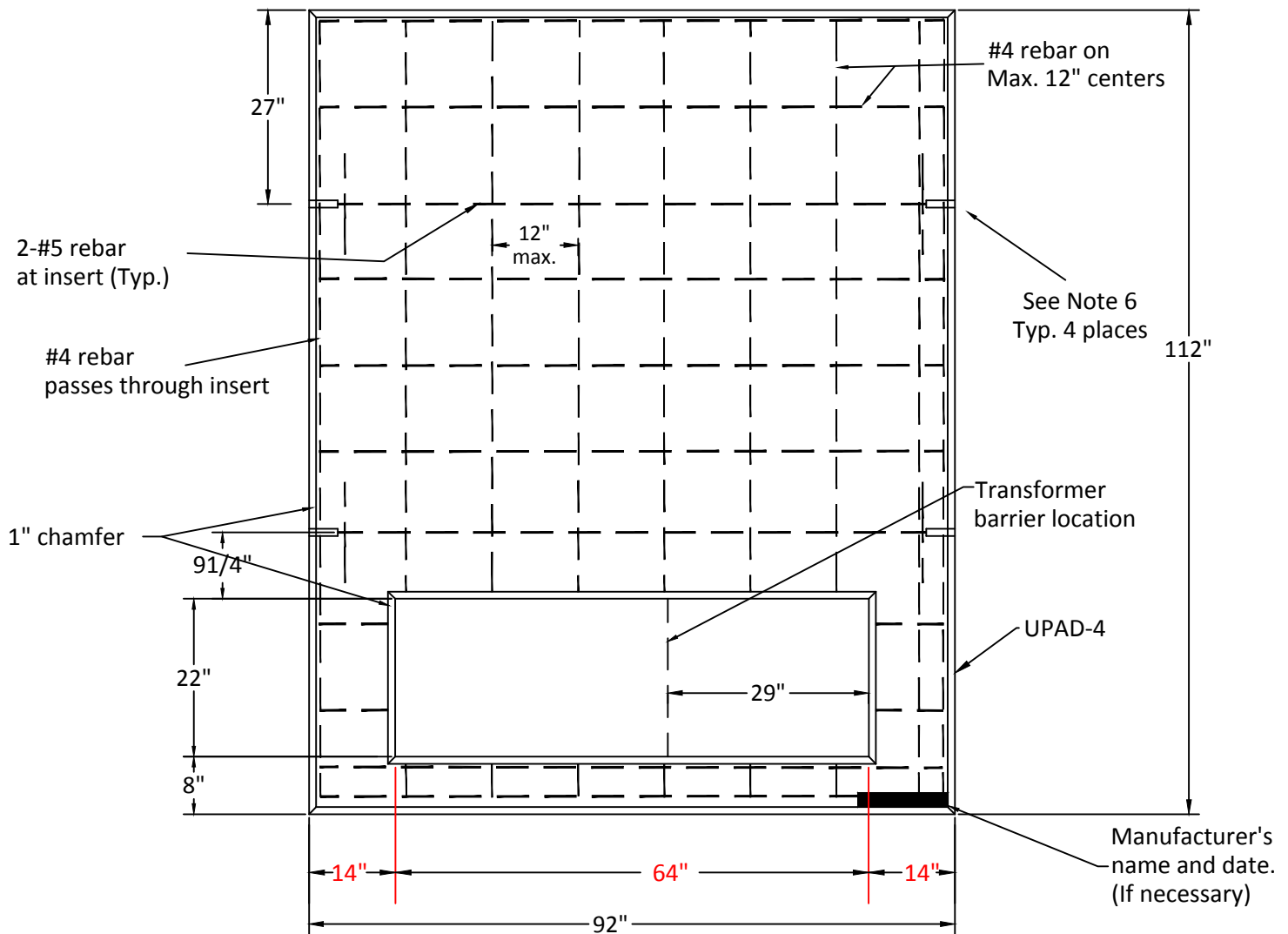
REVISED \_\_\_\_\_



A- **SUH-15.003**

**SUH-15.003**

PRECAST OR POURED IN PLACE CONCRETE PAD FOR 3 PHASE  
 PAD-MOUNTED TRANSFORMER, 12 KV THRU 25 KV PRIMARY VOLTAGE,  
 500 KVA TO 2500 KVA RADIAL STEP-UP/DOWN, 500 - 3750 KVA LOOP FEED



NOTES:

1. Maintain 2 in. of clear concrete between rebar and all outer surfaces.
2. Reinforce with No. 4 rebars with a 12"x 12" grid, 4 in. below top of pad except as shown above.
3. Concrete shall have a minimum ultimate 28 day compressive strength of not less than 3,000 psi, pad shall be cured not less than 72 hours.
4. Average weight of pad is 5,800 pounds.
5. Mounting surface shall be level, smooth and uniform with minimal irregularities.
6. Lifting insert for 1 in. diameter threaded bolt, 4" depth, Meadow Burke FX-14 or equivalent, 4 locations (omit if poured in place).

SUBJECT **UNDERGROUND DISTRIBUTION**

DETAIL **EQUIPMENT PADS AND VAULTS - STANDARD PAD FOR 500 KVA THROUGH 3750 KVA, LOOP FEED AND  
 500 THROUGH 2500 KVA RADIAL STEP-UP/DOWN PAD-MOUNTED TRANSFORMER, 12 KV THRU 25 KV**

Date 02-26-99

REVISED 09-25-00, 01-26-02, 01-09-07, 12-20-13  
 03-26-15



A- SUH16001

