

# **MEDIUM SIZED SINGLE PHASE COMMERCIAL 400 AMPERE SERVICE**

## **A. GENERAL NOTES:**

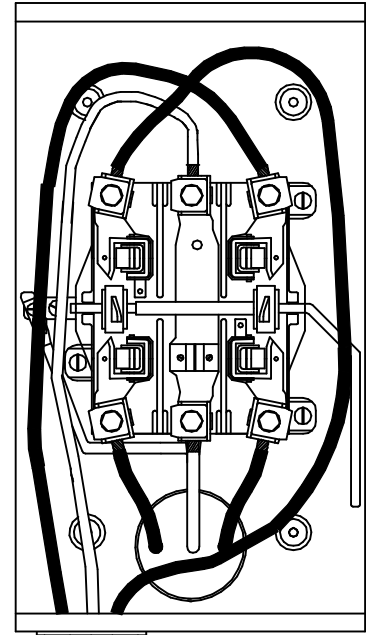
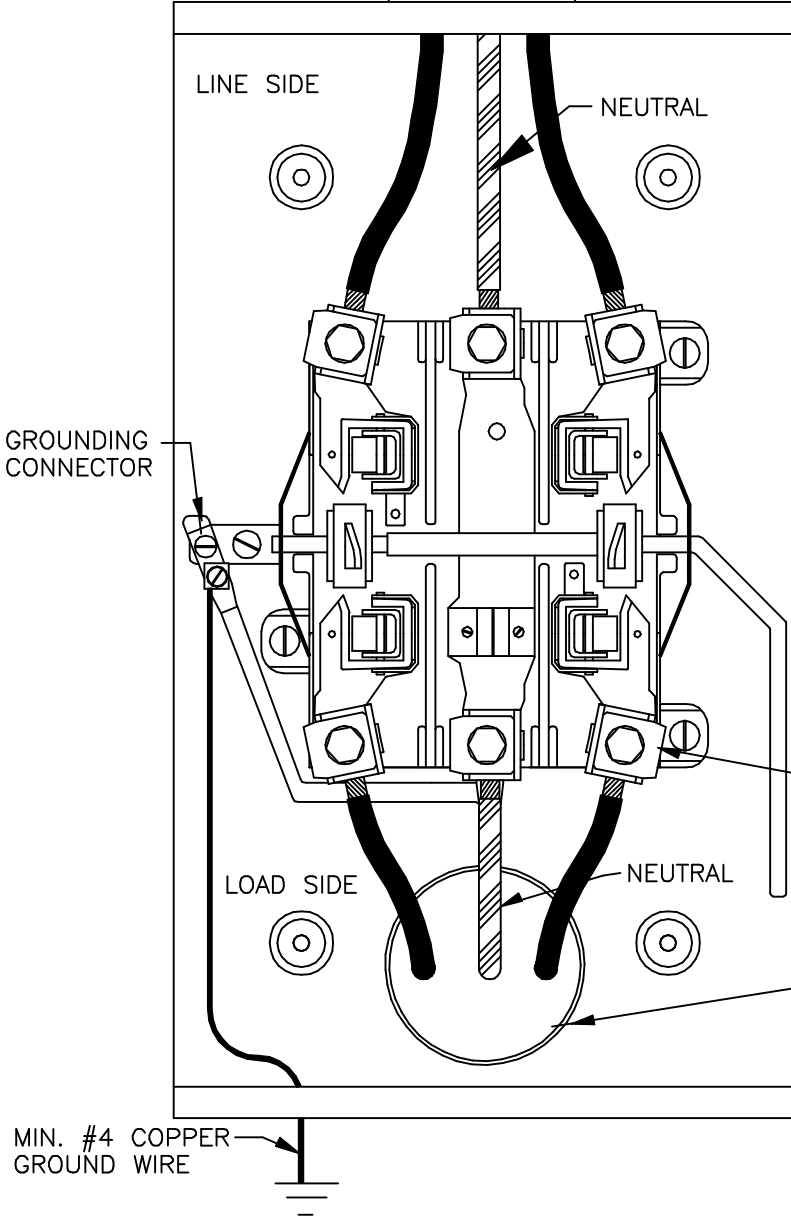
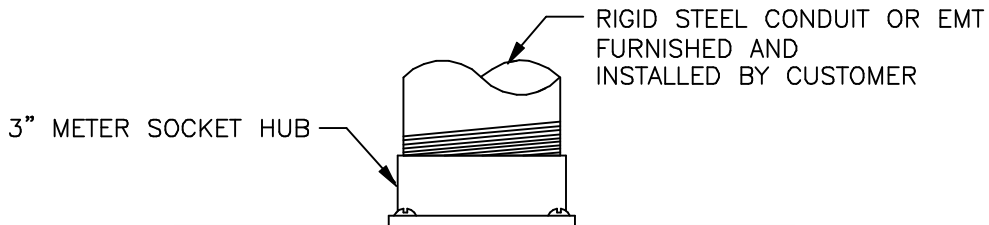
- Service entrance line and load conductors, conduit, conduit straps, weatherhead, lock nuts, bushings, connectors and miscellaneous mounting hardware furnished and installed by customer.
- This installation is used for services greater than 200 amperes but less than 320 amperes continuous.
- Meter socket furnished (normally) by Company and installed by customer.
- Meter furnished and installed by Company.
- Generally, service lateral furnished and installed by Company. Contact Company for determination.
- Requirements regarding accessibility to equipment and unobstructed working space adjacent to metering equipment are specified under Service Locations.
- Placement of meter socket in alley ways or areas where meter is subject to damage shall require advance approval of a qualified employee.

## **B. MOUNTING:**

- Meter socket and conduit shall be surface mounted without brick or other exterior veneers encasing the equipment.
- Meter socket and conduit straps shall be fastened to building using lead anchors (brick or solid masonry), toggle bolts (other masonry siding) or wood screws (studs, solid lumber). All screws and bolts shall be minimum #12 x 1-1/2" corrosion resistant. A minimum of four (4) fasteners shall be used to mount socket.
- Three inch (3") trade size rigid metal conduit or schedule 40 PVC furnished and installed by customer.
- Conduit ends shall be equipped with a proper bushing to protect conductors.

## **C. CONNECTIONS:**

Customer shall apply a non-grit type corrosion inhibitor to connections and terminate them by torquing to manufacturer's specifications located in the enclosure. **Do not over-torque!**



WIRING DIAGRAM FOR  
UNDERGROUND

24-0530 SOCKET

LUG SIZE - #1-350MCM AL/CU

CONNECTOR OR BUSHING

**Mississippi Power**   
*the southern electric system*

DISTRIBUTION SPECIFICATIONS ©

SUBJECT SINGLE PHASE 200 AMP - SMALL COMMERCIAL

DETAIL \_\_\_\_\_

Date 10/13/95

Plate 63

File MS0068

# SINGLE PHASE 200 AMPERE INSTALLATION SMALL COMMERCIAL

---

## A. GENERAL NOTES:

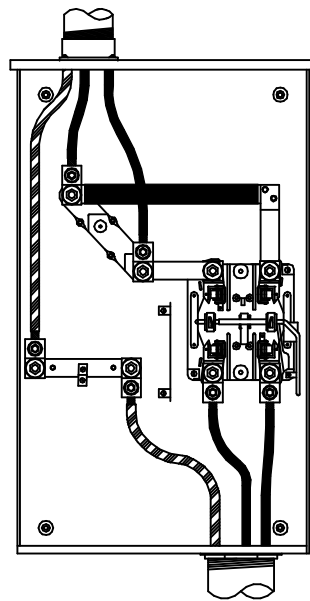
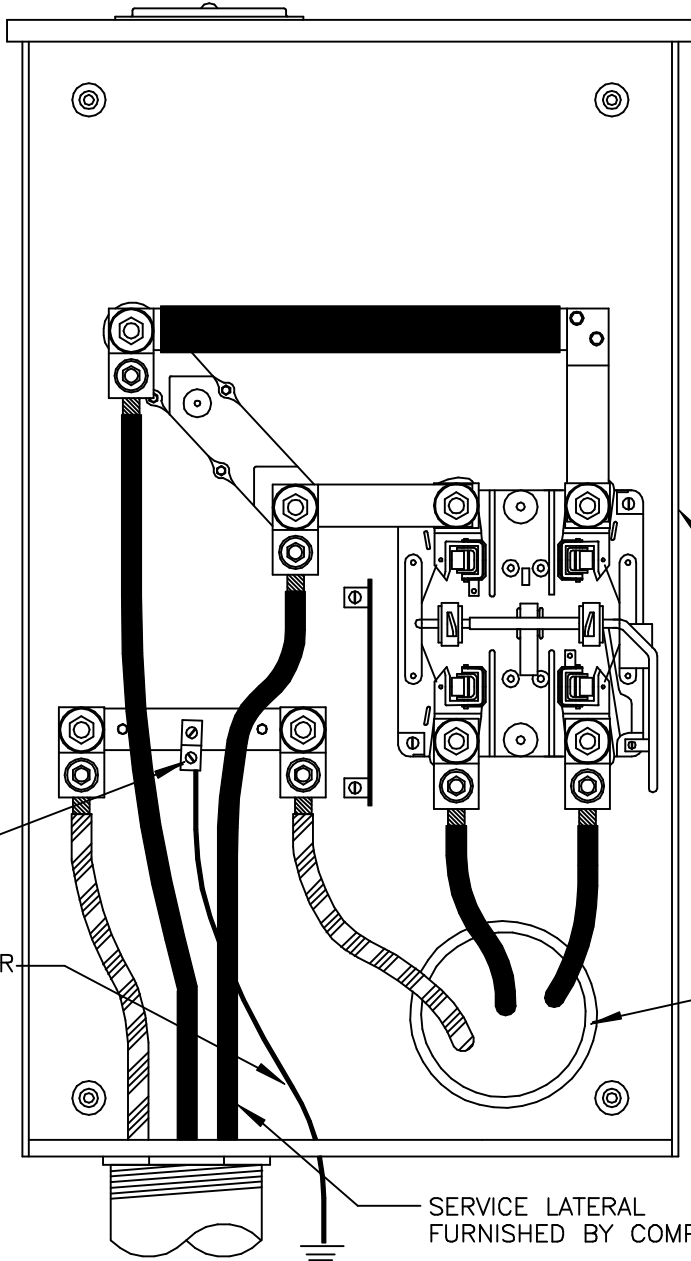
- Service entrance line and load conductors, conduit straps, weatherhead, lock nuts, bushings, connectors, and miscellaneous mounting hardware furnished and installed by customer.
- Meter socket, meter socket hub and service drop attachment device furnished (normally) by Company and installed by customer.
- Meter and service drop furnished and installed by Company.
- Requirements regarding accessibility to equipment and unobstructed working space adjacent to metering equipment are specified under Service Locations.
- Installations that require a steel service mast shall be installed by customer.
- Placement of meter socket in alley ways or areas where meter is subject to damage shall require advance approval of a qualified employee.

## B. MOUNTING:

- Meter socket and conduit shall be surface mounted without brick or other exterior veneers encasing the equipment.
- Meter socket and conduit straps shall be fastened to building using lead anchors (brick or solid masonry), toggle bolts (other masonry siding) or wood screws (studs, solid lumber). All screws and bolts shall be minimum #12 corrosion resistant. A minimum of four (4) fasteners shall be used to mount socket.

## C. CONNECTIONS:

- Customer shall apply a non-grit type corrosion inhibitor to connections and terminate them by torquing to manufacturer's specifications located in the enclosure. **Do not over-torque!**



OVERHEAD WIRING DIAGRAM

24-0600 SOCKET

GROUNDING CONNECTOR

MIN. #4 COPPER GROUND WIRE

CONNECTOR OR BUSHING

SERVICE LATERAL FURNISHED BY COMPANY

**\*\* NOTE:**

CONDUIT SHALL ENTER SOCKET THRU LEFT KNOCKOUT ONLY, NOT THRU CENTER OR RIGHT KNOCKOUT.

**Mississippi Power**  
the southern electric system



DISTRIBUTION SPECIFICATIONS



SUBJECT 120/240 VOLT SINGLE PHASE 400 AMP COMMERCIAL

DETAIL \_\_\_\_\_

Date 05/30/96

Plate 65

File MS0074

# LARGE SINGLE PHASE COMMERCIAL FOR SERVICES GREATER THAN 400 AMPERES

---

## A. GENERAL NOTES:

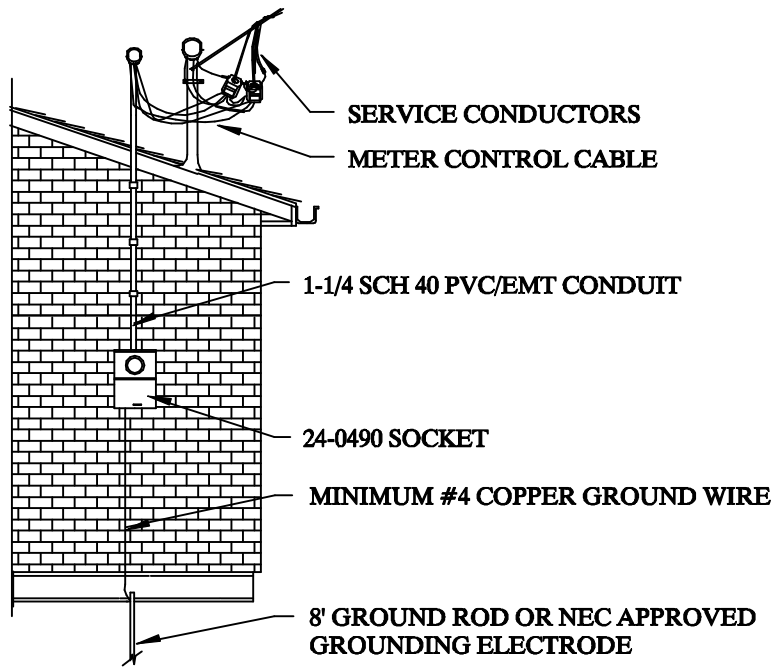
- Service lateral and meter furnished and installed by Company.
- Instrument transformers furnished by Company and installed by company
- Meter socket and instrument transformer enclosure furnished by Company and installed by customer.
- Conduit shall be 1-1/4" rigid metal or intermediate metal conduit furnished and installed by customer.
- Metering control cable furnished and installed by Company.
- Requirements regarding accessibility to equipment, unobstructed working space, clearances, proper mounting and conduit arrangement are specified under Service Locations.
- Placement of meter socket in alley ways or areas where meter is subject to damage shall require advance approval of a qualified employee.

## B. MOUNTING:

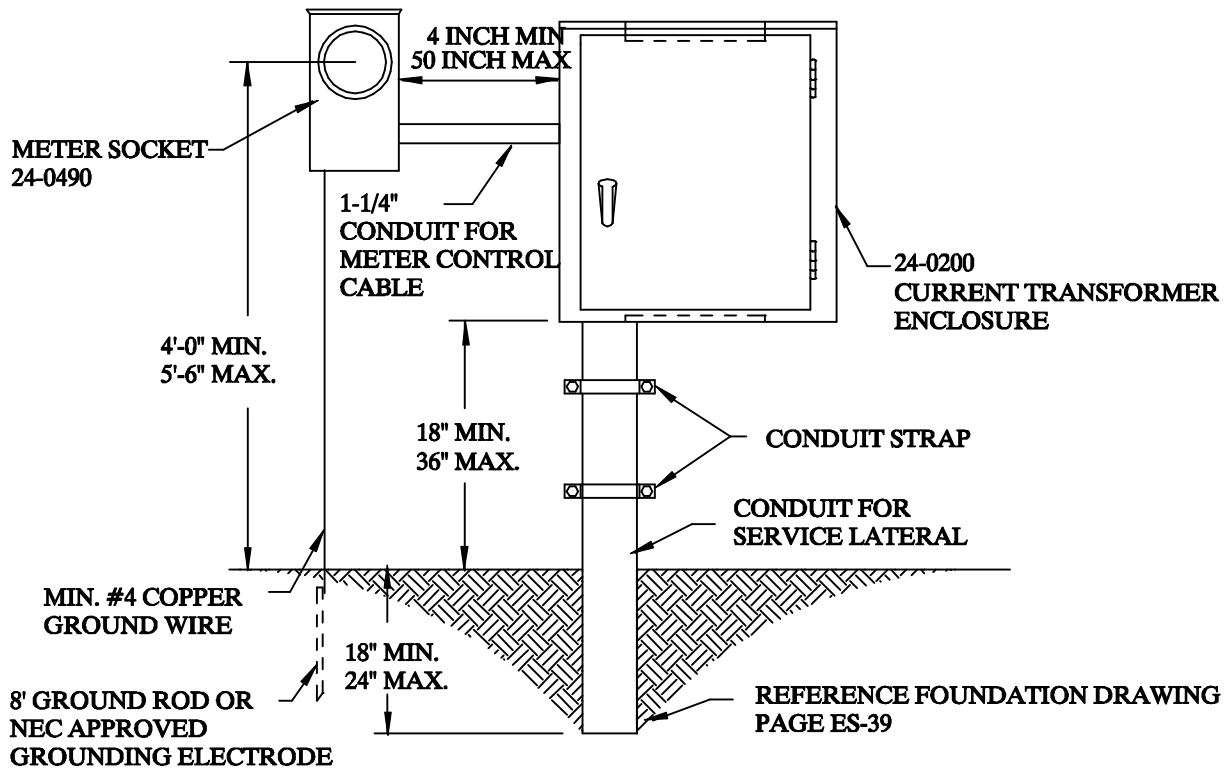
- Enclosure, socket and conduits for service lateral and meter control cable shall be surface mounted without brick or other exterior veneers encasing the equipment.
- Enclosure, socket and conduit straps shall be fastened to building using lead anchors (brick or solid masonry), toggle bolts (other masonry siding) or wood screws (studs, solid lumber). All screws and bolts shall be minimum #12 x 1-1/2" corrosion resistant. A minimum of four (4) fasteners shall be used to mount both enclosure and socket.
- Conduits shall be furnished and installed by customer.

## C. CONNECTIONS:


- Customer shall apply a non-grit type corrosion inhibitor to connections and terminate them by torquing to manufacturer's specifications located in the enclosure. **Do not over-torque!**



**OVERHEAD INSTALLATION**



**UNDERGROUND INSTALLATION**

 <p><b>Mississippi Power</b> the southern electric system</p>	DISTRIBUTION SPECIFICATIONS ©	
	SUBJECT <u>120/240 VOLT SINGLE PHASE COMMERCIAL</u> DETAIL _____	
Date <u>10/13/95</u>	Plate <u>67</u>	File <u>MS0053</u>