

SMALL SIZED THREE PHASE COMMERCIAL FOUR WIRE SERVICE

A. GENERAL NOTES:

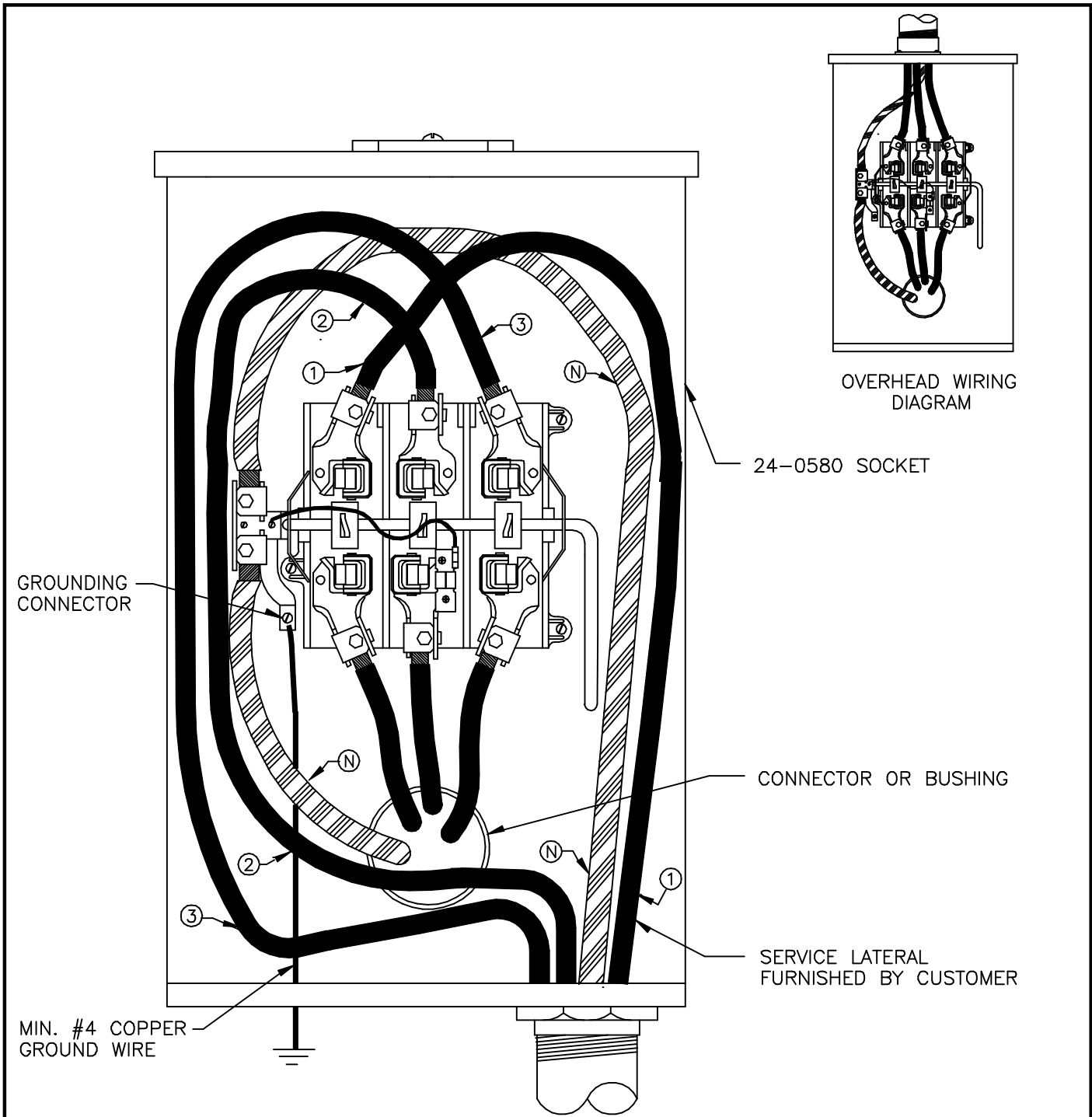
- When this socket is utilized for 277/480V 4 wire installations, a disconnecting means ahead of and immediately adjacent to the meter socket will be installed by the customer. The disconnecting means must be rated not less than the load to be carried and must have an interrupting rating at system voltage sufficient for the current that must be interrupted.
- Service entrance line and load conductors, conduit, conduit straps, weatherhead, lock nuts, bushings, connectors and miscellaneous mounting hardware furnished and installed by customer.
- Meter socket furnished (normally) by Company and installed by customer.
- Meter furnished and installed by Company.
- Service lateral furnished and installed by customer.
- Placement of meter socket in alley ways or areas where meter is subject to damage shall require advance approval of a qualified employee.

B. MOUNTING:

- Meter socket and conduit shall be surface mounted without brick or other exterior veneers encasing the equipment.
- Meter socket and conduit straps shall be fastened to building using lead anchors (brick or solid masonry), toggle bolts (other masonry siding) or wood screws (studs, solid lumber). All screws and bolts shall be minimum #12 x 1-1/2" corrosion resistant. A minimum of four (4) fasteners shall be used to mount socket.
- Three inch (3") trade size rigid metal conduit or schedule 40 PVC furnished and installed by customer.
- Conduit ends shall be equipped with a proper bushing to protect conductors.

C. CONNECTIONS:

Customer shall apply a non-grit type corrosion inhibitor to connections and terminate them by torquing to manufacturer's specifications located in the enclosure. **Do not over-torque!**



- NOTES:
1. DELTA INSTALLATION - #3 POSITION MUST BE POWER LEG
 2. CONDUIT SHALL ENTER SOCKET THRU LEFT OR RIGHT KNOCKOUT BUT NOT THRU CENTER KNOCKOUT

<p>Mississippi Power </p> <p><i>the southern electric system</i></p>	DISTRIBUTION SPECIFICATIONS ©	
	<p>SUBJECT <u>THREE PHASE COMMERCIAL, 4 WIRE SERVICE</u></p> <p>DETAIL _____</p>	
<p>Date <u>05/30/96</u></p>	<p>Plate <u>69</u></p>	<p>File <u>MS0067</u></p>

MEDIUM SIZED THREE PHASE COMMERCIAL 600 AMPERE OVERHEAD SERVICE

A. GENERAL NOTES:

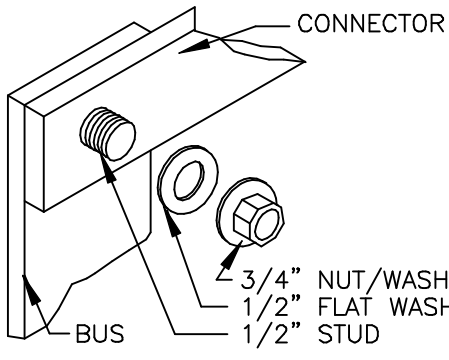
- This arrangement may be utilized in lieu of transformer rated metering for commercial services above 200 amperes up to 480 amperes continuous. Service installation is limited to 120/208, 3 Phase, 4 wire and 120/240 3 phase 4 wire. **NO 277/480 volt available**
- Contact a qualified employee well in advance of required service date to determine best method of service.
- The same requirements shall be applicable for the 400 ampere, self contained socket as specified for the 200 ampere socket with regard to location, height, accessibility to equipment, unobstructed working space, clearances, proper mounting and mast/weatherhead arrangement.
- Service entrance line and load conductors, conduit, conduit straps, weatherhead, lock nuts, bushings, connectors and miscellaneous mounting hardware furnished and installed by customer.
- Meter socket, meter socket hub and service drop attachment device furnished by Company and installed by customer.
- Meter and service drop furnished and installed by Company.
- Placement of meter socket in alley ways or areas where meter is subject to damage shall require advance approval of a qualified employee.

B. MOUNTING:

- Meter socket and conduit shall be surface mounted without brick or other exterior veneers encasing the equipment.
- Meter socket and conduit straps shall be fastened to building using lead anchors (brick or solid masonry), toggle bolts (other masonry siding) or wood screws (studs, solid lumber). All screws and bolts shall be minimum #12 x 1-1/2" corrosion resistant. A minimum of four (4) fasteners shall be used to mount socket. Only the pre-punched holes provided by the manufacturer shall be used to mount socket.

C. CONNECTIONS:

Customer shall apply a non-grit type corrosion inhibitor to connections and terminate them by torquing to manufacturer's specifications located in the enclosure. **Do not over-torque!**



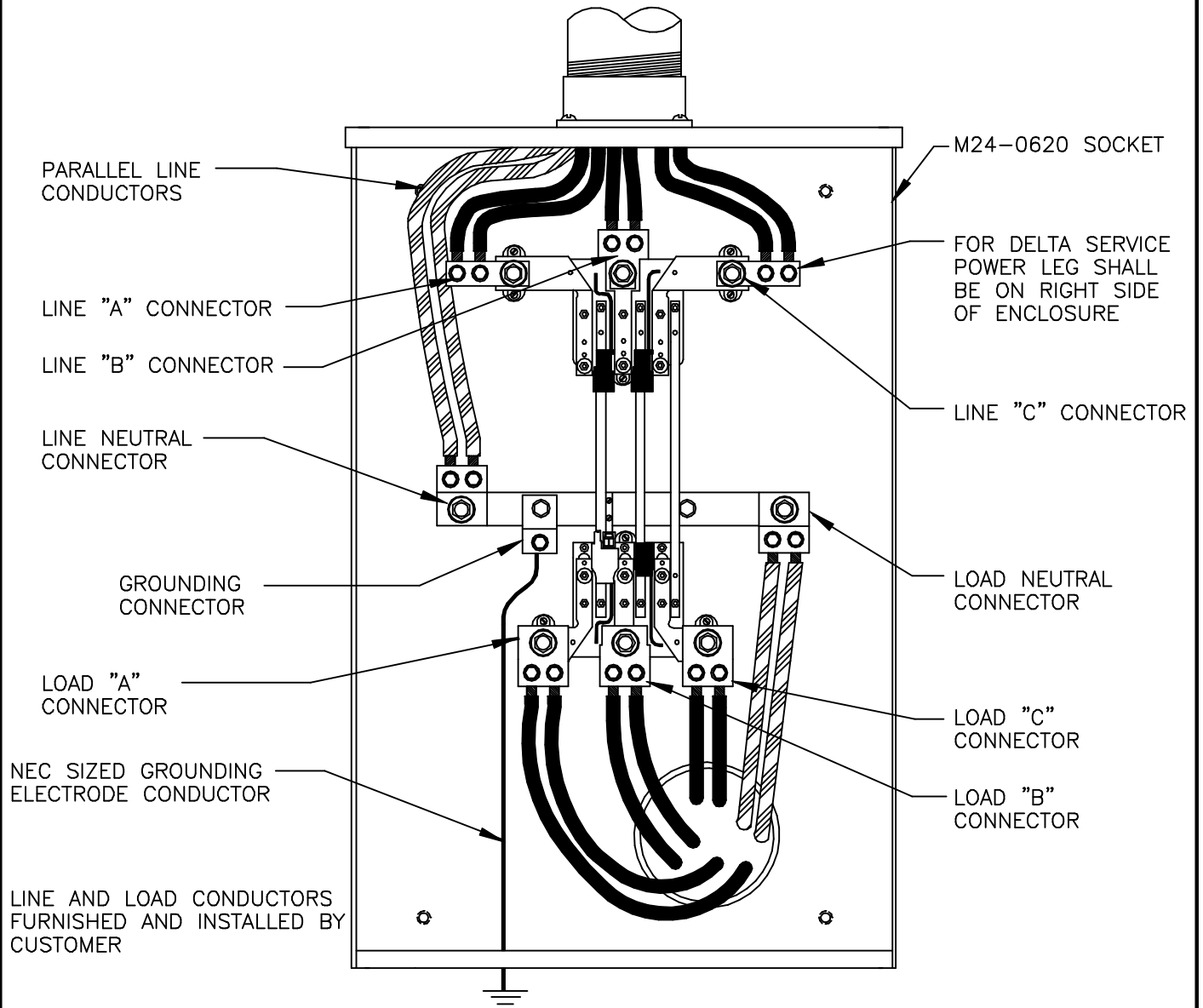
TORQUING REQUIREMENTS


CONNECTOR SET SCREWS
 LINE375 IN.LBS
 LOAD.....275 IN.LBS
 NEUTRAL.....275 IN.LBS

NUT/WASHER ASSEMBLY
 1/2" (ON METER) 250 IN.LBS
 3/4" (ON CONNECTORS) 500 LBS

CAUTION
 FLAT WASHER MUST BE PLACED BETWEEN
 NUT/WASHER ASSEMBLY AND CONNECTOR

NOTE
 LINE CONNECTOR MUST BE ALIGNED ON
 BUSS PRECISELY TO ALLOW METER TO BE
 SECURED "OUT OF SERVICE"



Mississippi Power 
the southern electric system

DISTRIBUTION SPECIFICATIONS ©

SUBJECT THREE PHASE COMMERCIAL, 600 AMP OVERHEAD

DETAIL _____

Date 10/13/95

Plate 73

File MS0066

MEDIUM SIZED THREE PHASE COMMERCIAL 600 AMPERE UNDERGROUND SERVICE

A. GENERAL NOTES:

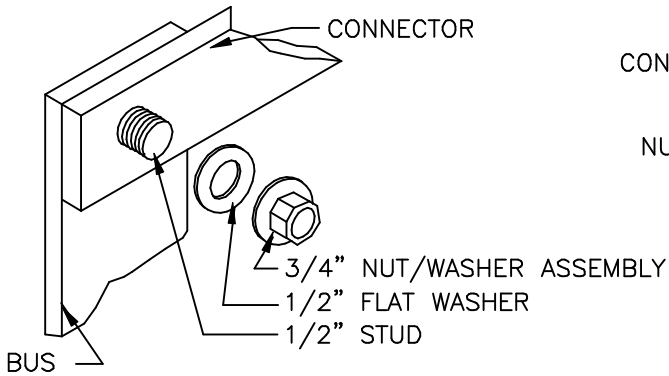
- This arrangement may be utilized in lieu of transformer rated metering for commercial services above 200 amperes up to 480 amperes continuous. Service installation is limited to 120/208, 3 phase, 4 wire and 120/240 3 phase 4 wire. No 277/480 volt available.
- Contact a qualified employee well in advance of required service date to determine best method of service.
- The same requirements shall be applicable for the 600 ampere, self contained socket as specified for the 200 ampere socket with regard to location, height, accessibility to equipment, unobstructed working space, clearances, proper mounting and mast/weatherhead arrangement.
- Service entrance line and load conductors, conduit, conduit straps, weatherhead, lock nuts, bushings, connectors and miscellaneous mounting hardware furnished and installed by customer.
- Meter socket furnished by Company and installed by customer.
- Meter furnished and installed by Company.
- Placement of meter socket in alley ways or areas where meter is subject to damage shall require advance approval of a qualified employee.

B. MOUNTING:

- Meter socket and conduit shall be surface mounted without brick or other exterior veneers encasing the equipment.
- Meter socket and conduit straps shall be fastened to building using lead anchors (brick or solid masonry), toggle bolts (other masonry siding) or wood screws (studs, solid lumber). All screws and bolts shall be minimum #12 x 1-1/2" corrosion resistant. A minimum of four (4) fasteners shall be used to mount socket. Only the pre-punched holes provided by the manufacturer shall be used to mount socket.
- Minimum three inch (3") trade size rigid metal conduit or schedule 40 PVC furnished and installed by customer. MPC to specify size.
- Conduit ends shall be equipped with a proper bushing to protect conductors.

C. CONNECTIONS:

Customer shall apply a non-grit type corrosion inhibitor to connections and terminate them by torquing to manufacturer's specifications located in the enclosure. **Do not over-torque!**



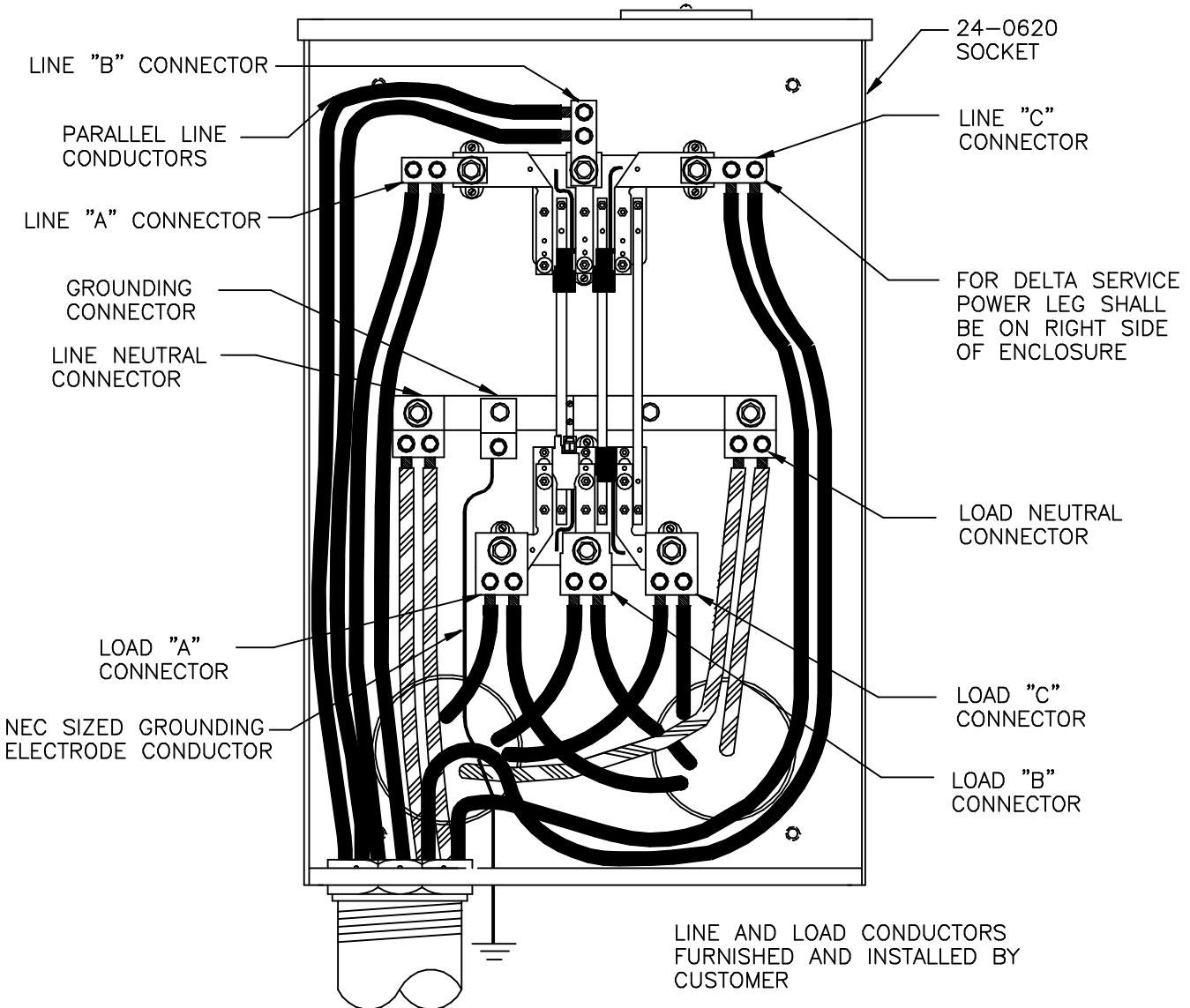
TORQUING REQUIREMENTS

CONNECTOR SET SCREWS
 LINE.....375 IN.LBS
 LOAD.....275 IN.LBS
 NEUTRAL.....275 IN.LBS

NUT/WASHER ASSEMBLY
 1/2" (ON METER) 250 IN.LBS
 3/4" (ON CONNECTORS) 500 LBS

CAUTION FLAT WASHER MUST BE PLACED BETWEEN NUT/WASHER ASSEMBLY AND CONNECTOR

NOTE LINE CONNECTOR MUST BE ALIGNED ON BUSS PRECISELY TO ALLOW METER TO BE SECURED "OUT OF SERVICE"



Mississippi Power
the southern electric system



DISTRIBUTION SPECIFICATIONS

©

SUBJECT THREE PHASE COMMERCIAL, 600 AMP UNDERGROUND

DETAIL _____

Date 10/13/95

Plate 75

File MS0065