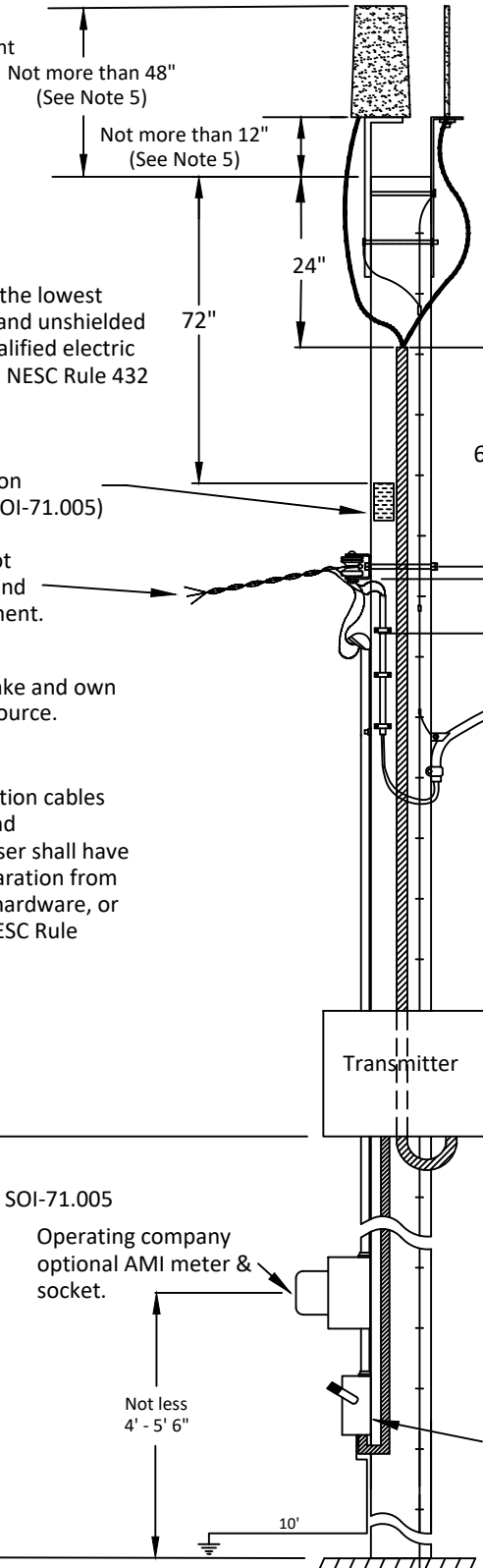


Note:
Limit 1 antenna attachment per pole. Two types are shown for clarification purposes.



LIGHTING ONLY POLE

NOTES:

1. A Lighting Only Pole is defined as a Southern Company pole designated to support only lighting service functions such as lighting equipment, lighting conductors, and non-traditional sensor devices without any other authorized attachments including communication, CATV, and Southern Company Distribution facilities. Non-traditional sensor devices include wireless devices, security cameras, gunshot detectors, or other "smart" devices. A Lighting Only Pole may be constructed of wood, metal, concrete, fiberglass, or other material. For poles that are not lighting only poles, refer to Plates SOH-13.001 through SOH-14.005.
2. All NESC required clearances shall be maintained.
3. See Plate SOI-71.005 for additional notes.
4. May be reduced to not less than 4 in. if bracket is grounded.
5. The antenna shall be not more than 12" above the top of pole or not more than 48" from the pole surface in any direction.

Anyone working above the lowest plane of any energized and unshielded conductor shall be a qualified electric supply line worker. See NESC Rule 432 for details.

RF Safety Sign Installation (See Note 10 on Plate SOI-71.005)

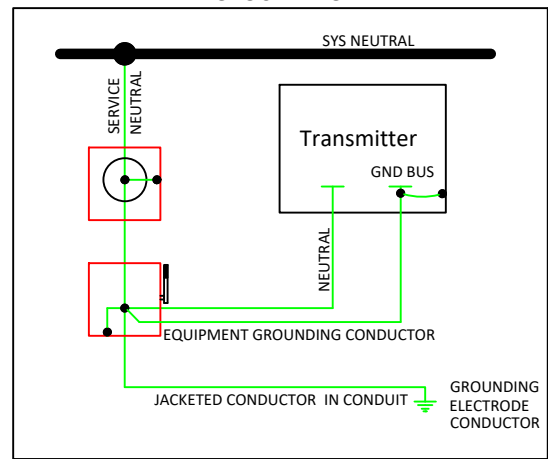
Supply conductors of not more than 750V to ground or top span guy attachment.

Power Company will make and own connections to power source.

Riser for all communication cables shall be non-metallic and non-conducting. The riser shall have a minimum of 2 in. separation from any thru bolt, metallic hardware, or electrical conductor (NESC Rule 239H).

Light fixture (if present)

GROUNDING



See Note 13 on Plate SOI-71.005

Operating company optional AMI meter & socket.

Not less 4' - 5' 6"

Overcurrent Protective Device including a Disconnect Switch (See Note 3 on Plate SOI-71.005)

SUBJECT **LIGHTING FACILITIES**

DETAIL **JOINT USE - TYPICAL WIRELESS DEVICE INSTALLATION WITH METER - LIGHTING ONLY POLES WITH OVERHEAD SECONDARY WIRELESS DEVICE OUTPUT POWER GREATER THAN 5.6 WATTS**

Date <u>02-28-20</u>	REVISED <u>04-23-20</u>	Southern Company	A- SOI71003